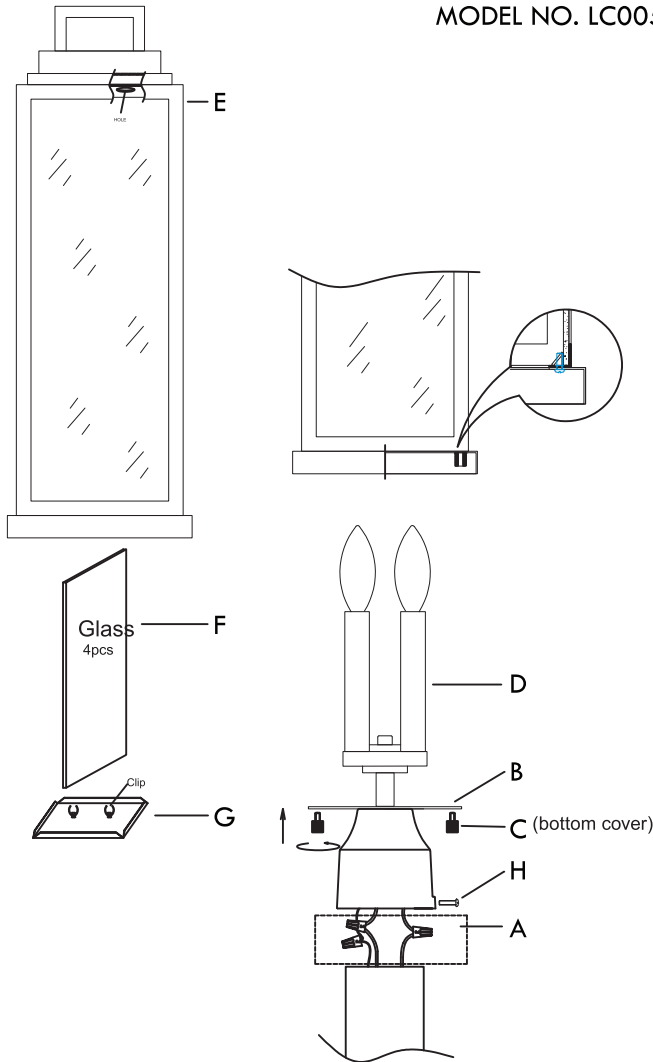


ASSEMBLY INSTRUCTION  
EASTON OUTDOOR POST LIGHT  
MODEL NO. LC005700



All electrical components must be installed by a licensed electrician in accordance with the National Electric Code and the appropriate local electrical codes.



You will need 4-Candelabra Base Bulb  
40 Watts Recommended 60 Watts Max.  
USE LED BULBS FOR EXTENDED USE  
This fixture is Wet Rated

## HOW TO INSTALL

1. Install the glass panels onto the frame and secure with the clips on the bottom of frame.
2. Insert the metal cover through the bottom of the fixture and push it until the clips on the cover protrude through the holes on the top of the frame. Press firmly to secure the glass.
3. Place the candle sleeve over the socket and install the bulb onto the socket.
4. Place the frame over the light cluster and let it sit on top of the bottom cover by aligning the holes. Secure with the cap nuts.

## PART NUMBER

- A. (1)-Mounting hardware
- B. (1)-Canopy
- C. (1)-Collar Loop ring
- D. (1)-Screw collar loop
- E. (1)-Chain Ø4.0\*72"
- F. (1)-Fixture loop
- G. (1)-Frame
- H. (4)-5" Candle Sleeve White
  - I. (4)-5" Candle sleeve Gold
- I. (4)-Glass Panel W5.5"\*H15"

## PART NUMBER

- A. (3)-Mounting hardware
- B. (1)-Light cluster
- C. (4)-Cap nut
- D. (4)-5" Candle Sleeve White
  - i. (4)-5" Candle sleeve Gold
- E. (1)-Frame
- F. (4)-Glass panel W5.5"\*H15"
- G. (1)-Metal Cover
- H. (3)-{Screws

WARNING: This product can expose you to Lead which is known to the state of California to cause cancer and/or birth defects or reproductive harm. For more information go to [www.P65Warnings.ca.gov](http://www.P65Warnings.ca.gov)